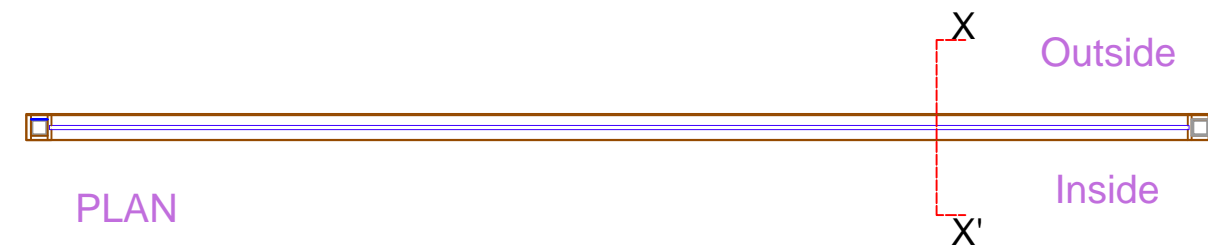
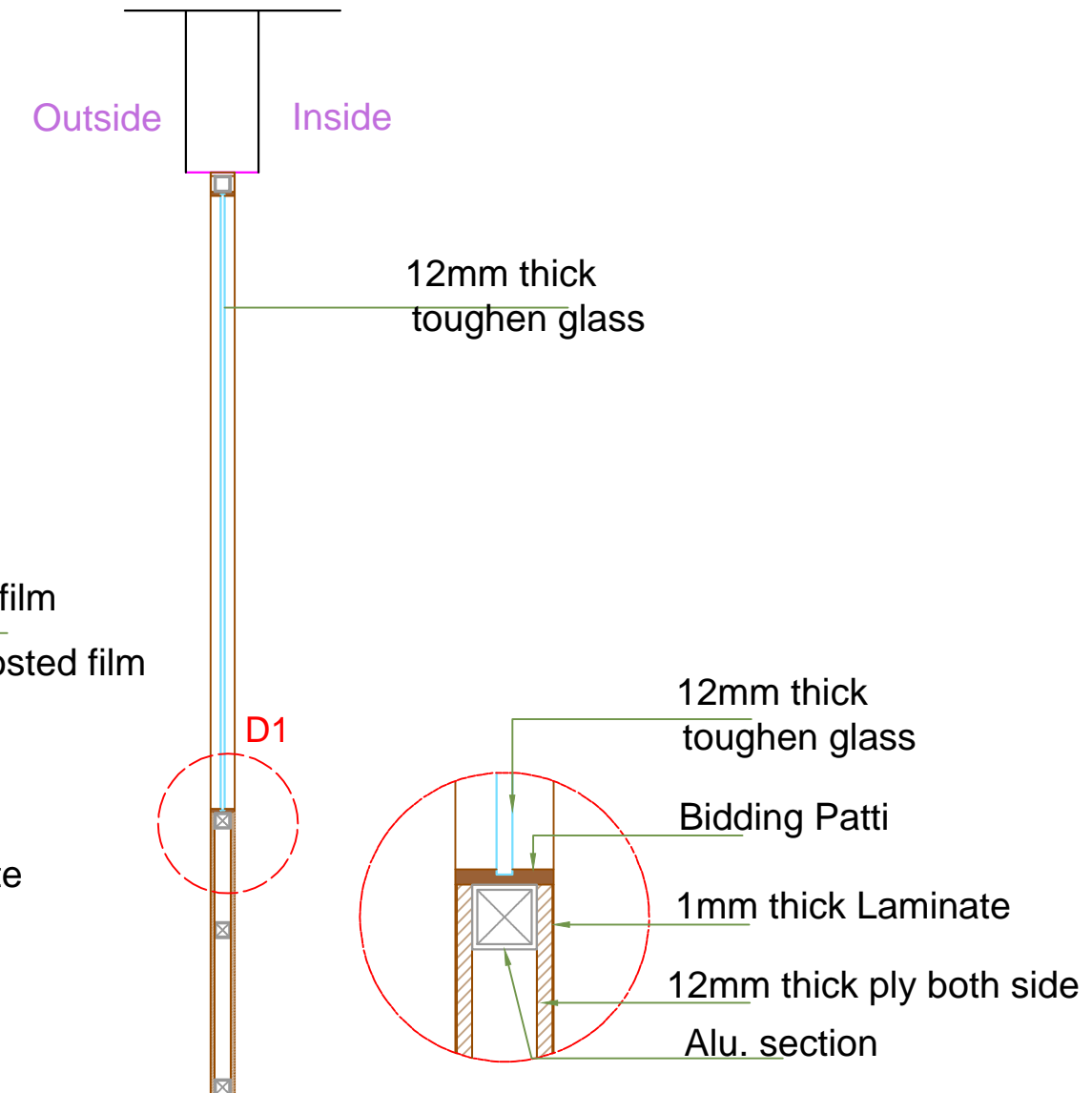


ELEVATION



PLAN



SECTION-XX'

Detail D1

PROJECT :- INTERIOR
 CLIENT :- CANARA BANK , GIFT CITY
 DATE : 15-04-2020
 DRG. NO. :- CANARA BANK/2020 /INTERIOR / 02

DRAWING:- FULL HT PARTLY GLAZED PARTITIONS (LAMINATE FINISH):-

SARJAN
 ARCHITECTS & PROJECT CONSULTANT
 51, River Palace- A, Opp. Old Civil Court, Nanpura, Surat- 395001.
 E-Mail: sarjanarch.pc@gmail.com Web: www.sarjanarchitects.com
 Contact: +91-261-2476778/ 9879604444